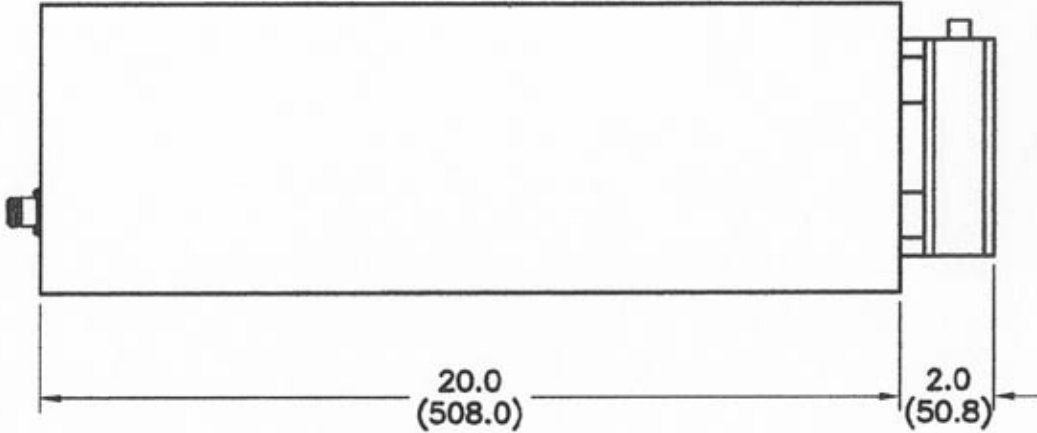
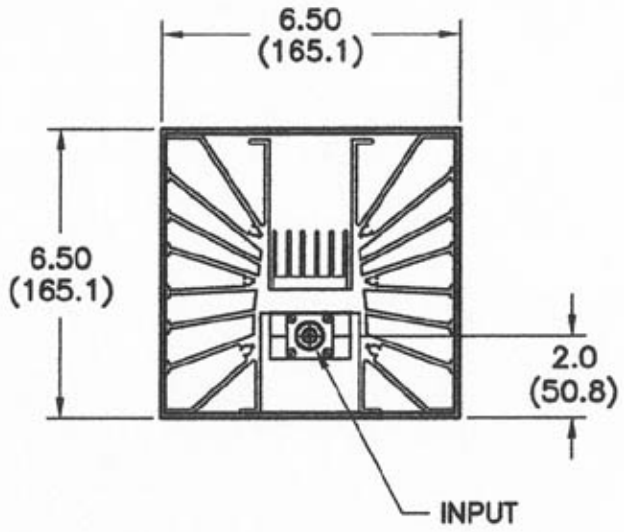


REVISIONS					
REV	ZONE	DESCRIPTION	DATE	BY	ECO



SPECIFICATIONS:

IMPEDANCE: 50 OHMS
 FREQUENCY RANGE: DC TO 500 MHz
 VSWR (MAX): 1.25:1 - DC TO 500 MHz
 AVG. & PEAK POWER: 2kW MAX.
 WEIGHT: 26 lbs (11.79kg) MAX.
 COOLING: CONVECTION AIR FAN COOLED
 CONNECTORS: TYPE N OR 7/16 DIN

DIMENSIONS: INCHES (MILLIMETERS)

TOLERANCES DEC.XX ± .05 FRC ± X ± .1 ANG ±		THE INFORMATION CONTAINED IN THIS DOCUMENT IS THE PROPERTY OF MICROWAVE DEVICES, INC. AND IS PROPRIETARY. IT IS NOT TO BE COPIED OR USED FOR ANY PURPOSE OTHER THAN AS INSTRUCTED, IN WRITING, BY MICROWAVE DEVICES, INC.	MICROWAVE DEVICES <small>(A Subsidiary of Microwave Components)</small>	
MATERIAL FINISH			SIGNATURES DR G.V.Cothren	DATE 10-22-01
APPD APPD		CAGE 60674	SIZE B	DRAWING NO. 900263
DIMENSIONS ARE IN INCHES UNLESS OTHERWISE SPECIFIED.		DRAWING SCALE ---	SHEET 1 OF 1	

CONTACT: MICROWAVE DEVICES - 1150 N. GRAHAM RD. FRANKLIN, IN 46131 (317) 736-8833